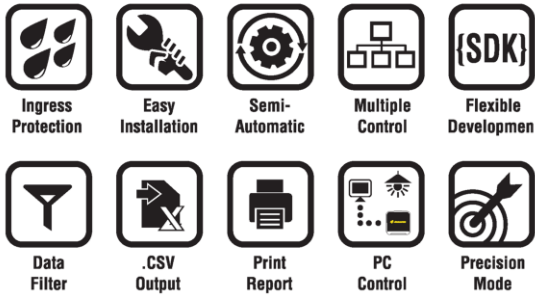
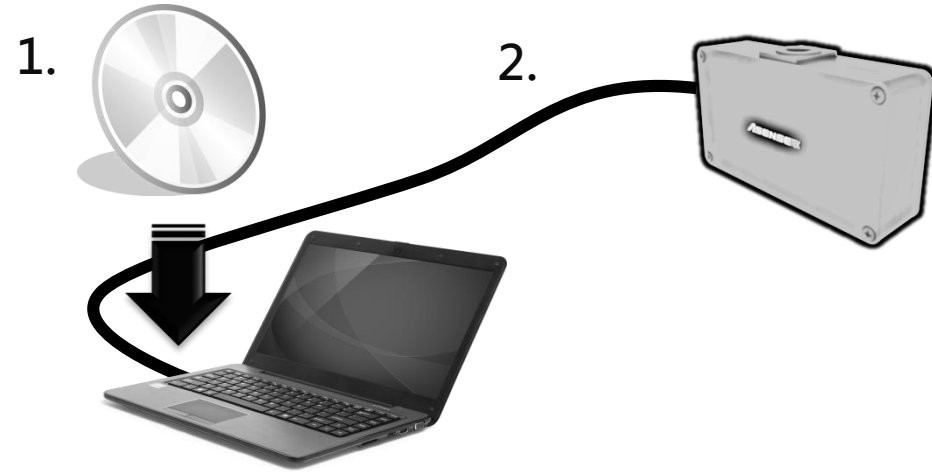


# Lighting Passport GateKeeper™



## Lighting Passport GateKeeper Quick Guide

1. Install Spectrum Genius GateKeeper software.
2. Please connect GateKeeper to computer via USB cable.



\*Operating Temperature/Humidity: 0 ~ 35 °C, relative humidity under 80% with no condensation

\*Storage Temperature/ Humidity Range: -10 ~ 45 °C, relative humidity of 85% or less (@ 35 °C) with no condensation

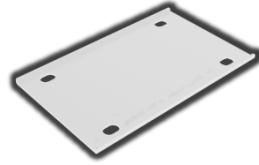
## Specifications

Wavelength Range	380~780nm	Measurement Mode	Single, Multiple, Continuous
Illuminance Range	Measurable : 20~200,000 Reliable Chromaticity: 200~200,000	Measurement Capability	CCT Duv CIE 1931 CIE 1976 Spectrum C78.377-2008 IEC-SDCM CRI (Ra) (R1-R8) CRI (Re) (R1-R15) R1 ~ R15 CQS TLCI (Qa) Gamut Area Index (GAI) Illuminance Foot Candle PPFD Peak Wavelength (λp) Dominant Wavelength (λD) Purity SP ratio
Optical Resolution	8nm		
Repeatability	x,y: <0.0005		
Accuracy (@ 1,000 lux Standard Light Source)	x, y : ± 0.002 Illuminance : ± 3 % CCT : ± 2 %		
Integration Time	6ms~16s		

## Accessories



2M USB Cable



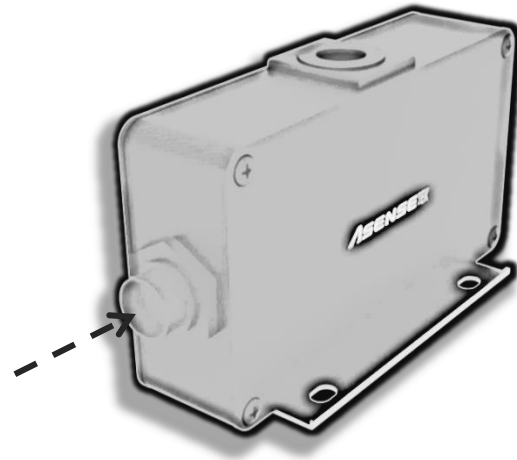
Holder



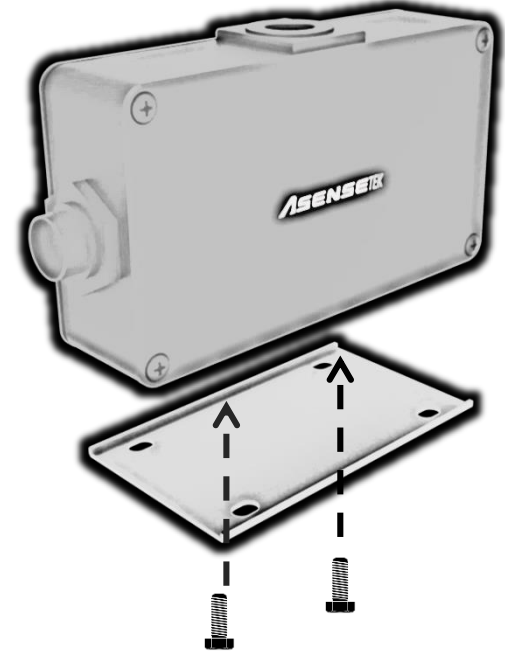
X 2 pcs

Screw

## USB connection



## Case Holder installation STEP 1.



## Case Holder installation STEP 2.

